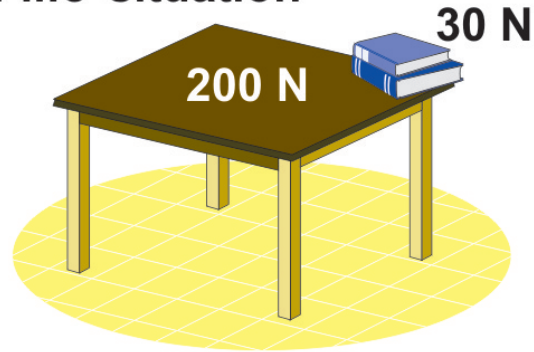
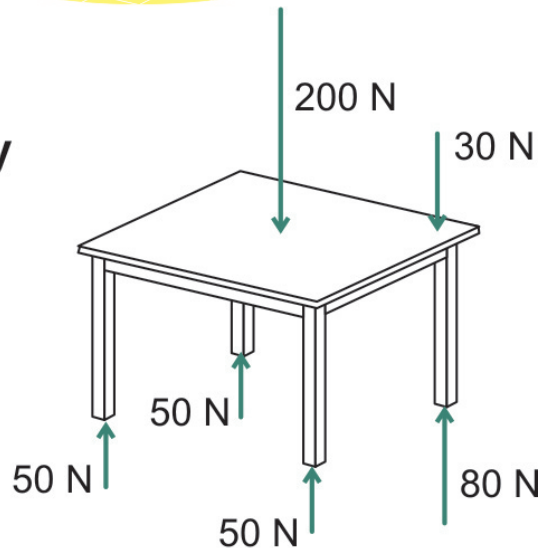


Free Body Diagram

Real-life situation



Free-body diagram



Equilibrium (net force = 0)

