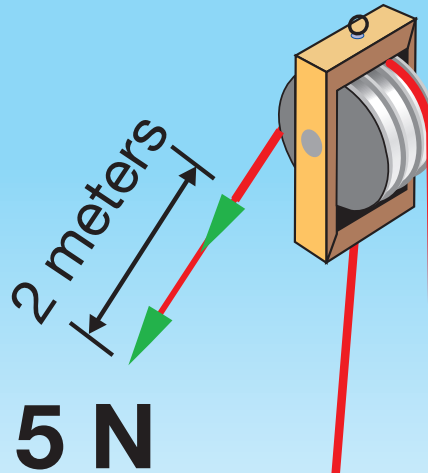


# Work Input and Output

## Input work

$$\begin{array}{r} 2 \text{ meters} \\ \times 5 \text{ newtons} \\ \hline = 10 \text{ joules} \end{array}$$



## Output work

$$\begin{array}{r} 1 \text{ meter} \\ \times 10 \text{ newtons} \\ \hline = 10 \text{ joules} \end{array}$$

