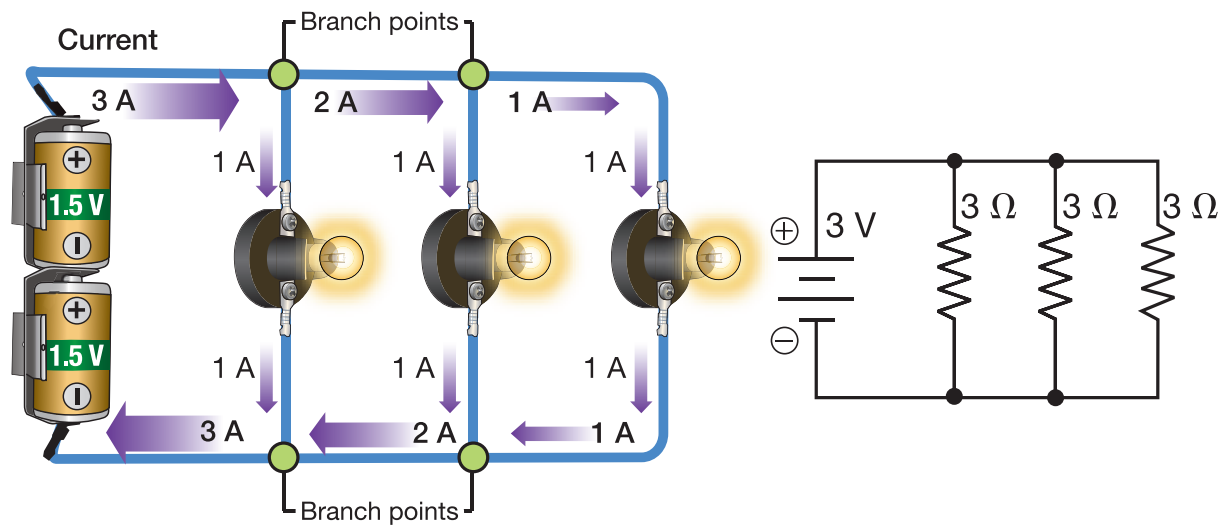


Parallel and Series Circuits

Parallel Circuit



Series Circuit

