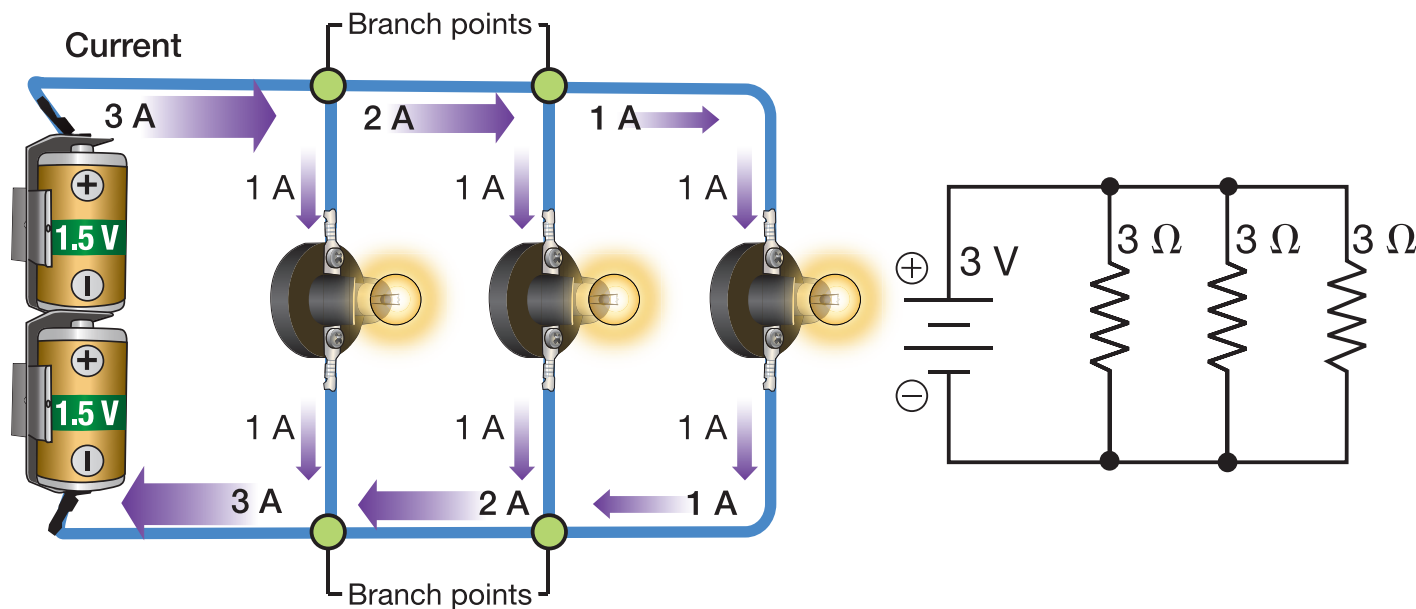
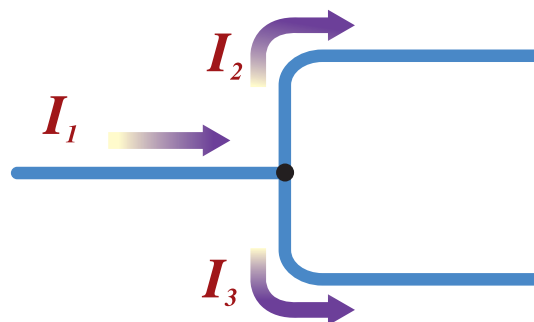


# Parallel Circuits



## Kirchhoff's current law

All current flowing into a branch point must flow out again.



$$I_1 = I_2 + I_3$$